

MAKING A MARK WITH TOUCH-SCREEN EASE



Think BIG

communicate collaborate disseminate

PN-L802B 80" class (80" diagonal)
 PN-L702B 70" class (69-1/2" diagonal)
 PN-L602B 60" class (60" diagonal)

SHARP AQUOS BOARD INTERACTIVE DISPLAY SYSTEMS

Breakthrough performance, versatility and value.



- Spectacular 80" class (80" diagonal), 70" class (69-1/2" diagonal) and 60" class (60" diagonal) screen sizes
- Brilliant high definition LCD panel with energy-efficient design
- Display, annotate, store and share information
- Easy multi-touch operation with pen or finger
- Exclusive, user-intuitive Sharp Pen Software™
- High-performance optical imaging (PN-L802B) and infrared detection (PN-L702B/L602B) systems for quick response
- Direct Sharp MFP connectivity to import/export data
- Built-in templates: calendar, to-do list and more

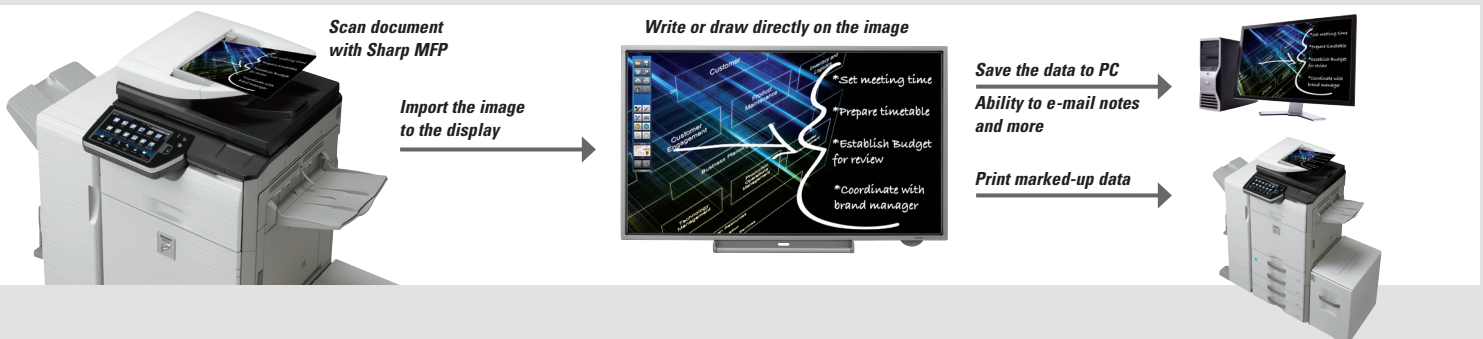
BIG SCREEN. BIG IMPACT. BIG ADVANTAGES over conventional display solutions. These spectacular Sharp 80" Class (80" diagonal), 70" class (69-1/2" diagonal) and 60" class (60" diagonal) LED interactive display systems give you convincing reasons to think BIG — with brilliant color images for greater communications power. Superior collaborative ease with touch-screen convenience. For versatility and performance in business meetings, teleconferences, presentations, training/classroom instruction and high-impact signage, there's never been a better time to think BIG — and think Sharp AQUOS BOARD.

Convey your message with greater impact. Size matters — and in today's competitive world, a big-screen Sharp AQUOS BOARD interactive display system can make a big difference in getting your message across. With 80" class (80" diagonal), 70" class (69-1/2" diagonal) and 60" class (60" diagonal) screens to choose from, Sharp AQUOS BOARDS give you spectacular HD clarity to help make your presentations come to life. Sharp's UV²A photo-alignment technology create brilliant color images, and with backlit design you'll benefit from energy efficiency, enhanced brightness and greater legibility of text.

Give your presentation just the right touch. For performance, simplicity and control convenience, nothing beats a Sharp AQUOS BOARD. Multiple infrared sensors in the PN-L702B/L602B accurately detect touch points, with the PN-L802B utilizing optical imaging to ensure accuracy and precision on its large 80" diagonal class screen. And you can create work plans, highlight key topics, annotate files and more; share marked-up documents or print hard copies for future reference.

Control every presentation like a pro. Our intuitive Sharp Pen Software application provides a whole new dimension in interactive control. Using the tip of your finger or touch pen, you can open and close documents, enlarge or shrink images, even make hard-copy printouts. A user-friendly tool bar lets you select a variety of drawing options with a simple tap of an icon. With two fingers, the dual-touch interface lets you easily enlarge, reduce or rotate an image. And Sharp Pen Software is fully compatible with Windows® 7 and can easily import Microsoft® Office® documents, including PowerPoint® presentations.

Streamlined communications via direct Sharp MFP connection: scan, import, save and print



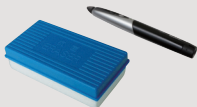
The power of results — it's in your hands.



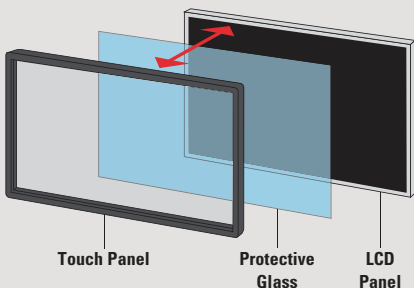
Cross-industry capable, Sharp AQUOS BOARDS enable a professional, personal touch for business meetings, training sessions and more.



- Use the top menu buttons to open files and import documents to your presentations.
- Sharp Pen Software works like magic to put your best thoughts on display. Switch colors at the touch of a button for emphasis or color-coding.
- The Smart Eraser function automatically switches from draw to erase mode, when an eraser is placed on the screen.
- Undo and Redo commands make changes quick and simple.
- Save, Print and Print All commands let you save files or make hard copy printouts.
- Pan and Zoom adjust your view or resize your image—it's easy!

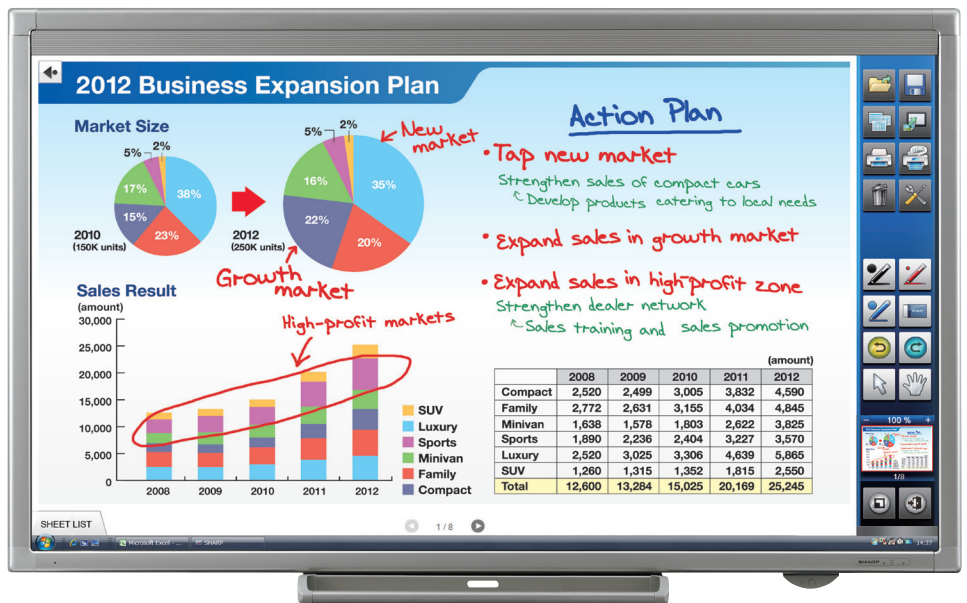


Integrated touch panel for smooth and accurate writing.



Direct interface with your Sharp MFP. Interactive presentations don't have to be difficult — and with your Sharp AQUOS BOARD connected to a Sharp Multifunctional Peripheral (MFP), you'll have the ability to scan documents directly to your Sharp Pen Software using the Sharp Network Scanning Tool. After making revisions, adding notes or annotating text and images, you'll be able to save your updated presentation to a PC or send it directly back to your MFP for printout.

Take advantage of built-in backgrounds. The Sharp Pen Software application even gives you a built-in library of backgrounds to use during presentations: calendar, to-do list, meeting log, graph paper and action plan. They help make presentations more effective because you don't have to create forms or data templates by hand. Now, simply focus on the ideas and actions you want to convey.



Write or draw directly on the image with Sharp AQUOS BOARD interactive display systems.

A clear winner in digital signage. The Sharp AQUOS BOARD provides bright, crisp, high-contrast color images that come alive in public areas like trade exhibit halls, hotel lobbies and conference areas, airport corridors and retail locations. They have been engineered for 24/7 certified commercial use, providing you with the reliability and durability needed for your business.

A better way to make a big impression. From boardroom to conference room, training session to selling floor, a Sharp AQUOS BOARD interactive display system can magnify your success. Motivate your audience. Improve your image. And give your message the impact it deserves. With Sharp AQUOS BOARD on your presentation team, the possibilities are endless — and every moment is right for a magnificent performance.

Environmental Initiatives. All Sharp Interactive Display Systems meet the RoHS Directive restricting the use of hazardous substances, with all eligible models conforming to ENERGY STAR® qualifications. For more information on Sharp energy-efficient products and environmental initiatives, please visit www.sharpUSA.com.

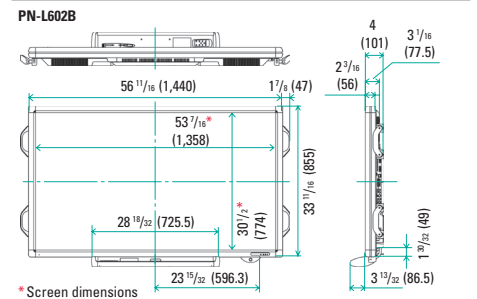
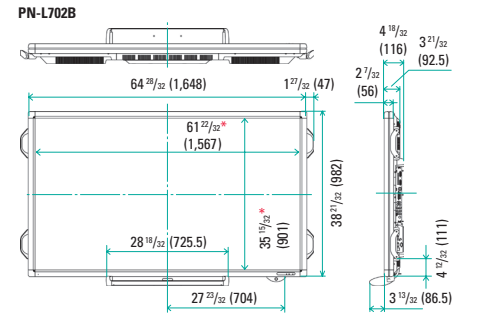
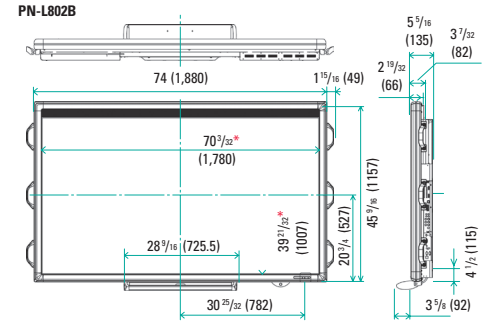
Product Specifications

AQUOS BOARD™

Model Number	PN-L802B	PN-L702B	PN-L602B
Type	Professional touch-screen monitor		
Usage	<p>Digital whiteboard Multi-purpose business tool with included Sharp Pen Software™^{*1}</p> <p>Data display Ideal for presentations, command & control, and data viewing^{*1,2}</p> <p>Remote collaboration tool Ability to conduct webinars, video conferences and more^{*1,2}</p> <p>Interactive signage monitor Utilize for wayfinding and other interactive applications^{*1,2}</p>		
LCD component	80" Wide screen class [80 inch (203.2cm) diagonal] UV ³ A LCD	70" Wide screen class [69-1/2 inch (176.6cm) diagonal] UV ³ A LCD	60" Wide screen class [60 inch (152.5cm) diagonal] UV ³ A LCD
Backlight	White LED Full-Array	White LED Full-Array	White LED Edge-Lit
Max. resolution (pixels)	1920 x 1080		
Max. colors (approx.)	1.06 billion colors		
Pixel pitch	0.923 mm (H) x 0.923 mm (V)	0.802 mm (H) x 0.802 mm (V)	0.692 mm (H) x 0.692 mm (V)
Max. Brightness (average)	300 cd/m ²	300 cd/m ²	380 cd/m ²
Contrast Ratio	3000:1		
Viewing angle (H/V)	160°/160° (CR≥10)		
Screen active area (approx.)	69-23/32" x 39-7/32" (1771.2mm x 996.3mm)	60-9/16" x 34-1/16" (1538.9mm x 865.6mm)	52-5/16" x 29-7/16" (1,329.1 x 747.6 mm)
Installation	Landscape orientation		
Computer input signal	Digital (DVI 1.0 standard-compliant), Analog RGB (0.7 Vp-p) [75 Ω]		
Sync signal	Horizontal/Vertical separate (TTL: positive/negative), Sync-on-green, Composite sync (TTL: positive/negative)		
Video color system	NTSC (3.58MHz)/NTSC (4.43MHz)/PAL/PAL-60/SECAM		
Plug and play	VESA DDC2B		
Power management	VESA DPMS, DVI DMPM		
Input terminals	<p>PC/AV Digital HDMI® x 1</p> <p>PC Analog Mini D-sub 15 pin, 3 rows x 1</p> <p>Audio 3.5 mm mini stereo jack x 1</p> <p>Serial (RS-232C) D-sub 9 pin x 1</p>		
When optional PN-ZB01 is attached	<p>PC/AV Digital DVI-D 24 pin (HDCP compatible) x 1</p> <p>PC Analog BNC^{*2,4} x 1</p> <p>AV Composite video BNC x 1</p> <p>S-video x 1</p> <p>Component BNC (Y, Cb/Pb, Cr/Pr)^{*3} x 1</p> <p>Audio RCA pin (L/R) x 2</p>		
Output terminals	<p>Audio RCA pin (L/R) x 1</p> <p>Serial (RS-232C) D-sub 9 pin x 1</p>		
When optional PN-ZB01 is attached	<p>PC/AV Digital DVI-D 24 pin x 1</p> <p>External Speaker 7 W + 7 W [6Ω]</p>		
LAN terminal	10 BASE-T/100 BASE-TX		
(when optional PN-ZB01 is attached)			
Speaker output	7 W + 7 W		
Touch Panel	<p>Detection method Optical imaging method Infrared blocking detection method Infrared blocking detection method</p> <p>Detection area (approx.) 69-3/4" x 39-1/4" (1771.2mm x 996.3mm) 60-9/16" x 34-1/16" (1538.9mm x 865.6mm) 52-5/16" x 29-7/16" (1329.1 mm x 747.6 mm)</p> <p>PC connector USB (1.1 compliant)</p> <p>Driver OS: Windows® XP (32-bit/64-bit ver.), Windows Vista® (32-bit/64-bit ver.), Windows® 7 (32-bit / 64-bit ver.)</p> <p>Power supply Supplied from USB</p> <p>Touch pen Ultrasonic communication method</p>		
Power requirement	AC 100 V - 240 V, 50/60 Hz		
Operating temperature ^{*5,*6}	41°F to 95°F (5°C to 35°C)		
Operating humidity ^{*6}	20% to 80% (no condensation)		
Power consumption (Maximum/input signal waiting mode ^{*7} /standby mode ^{*8})	255 W/1.0 W/0.5 W	235 W/1.0 W/0.5 W	165 W/1.0 W/0.5 W
Power consumption (when optional PN-ZB01 is attached)	260 W	240 W	170 W
Dimensions (excluding protrusions)	74" (W) x 55-1/16" (D) x 45-9/16" (H) (1,880mm x 135mm x 1157mm)	64-7/8" (W) x 4-9/16" (D) x 38-11/16" (H) (1,648mm x 116mm x 982mm)	56-22/32" (W) x 3-31/32" (D) x 33-21/32" (H) (1,440mm x 101mm x 855mm)
Weight (approx.)	225 lbs. (102 kg)	154.3 lbs. (70 kg)	119 lbs (54 kg)
Weight (optional PN-ZB01) (approx.)		1.1 lbs. (0.5 kg)	
UPC	074000069312	074000069206	074000069213
Main Accessories	Touch Pen, touch pen battery (AAA size), pen tips (for touch pen) x 2, eraser, pen-tray, power cord, remote control unit, batteries (AA size x 2), CD-ROM, set-up manual, terminal label, Sharp logo cover sticker, USB cable, tray mounting fittings x 2, tray mounting screws x 6.		
	cable clamp x 3	cable clamp x 2	cable clamp x 3

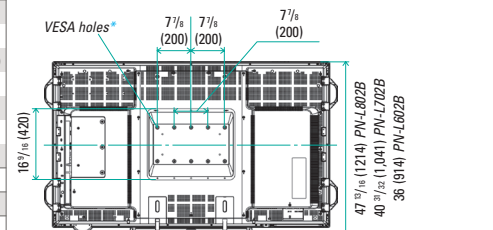
*1 Optional PC required. Additional 3rd party accessories and/or software may also be required. *2 Cannot be used simultaneously. *3 The analog and component BNC terminals are switchable. Use the menu to select. *4 Does not support plug and play. *5 Temperature condition may change when using the display together with the optional equipments recommended by Sharp. In such cases, please check the temperature condition specified by the optional equipments. *6 In addition, check the requirements of the computer and other devices to be connected, and make sure that all requirements are satisfied. *7 When AUTO INPUT CHANGE is set to OFF. *8 When STANDBY MODE is set to STANDARD. When STANDBY MODE is set to LOW POWER: 0.5 W

Dimensions (approx): inch (mm)



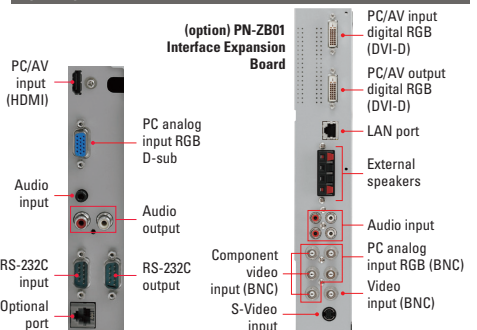
* Screen dimensions

VESA — PN-L802B, PN-L702B, PN-L602B



* To use the VESA-standard mounting bracket, use M6 screws that are 8 to 10 mm plus the thickness of the bracket.

Input/Output Terminals (standard)



1-888-826-9710

totalcorporatesolutions.com

Design and specifications subject to change without notice. Sharp, AQUOS BOARD, Sharp Pen Software and related trademarks are trademarks or registered trademarks of Sharp Corporation and/or its affiliated entities. Microsoft, Windows, Windows Vista and PowerPoint are trademarks or registered trademarks of Microsoft in the United States and/or other countries. HDMI is a registered trademark of HDMI Licensing LLC. All other trademarks are the property of their respective owners. All screen images in this brochure are simulated.